



see what Delta can do™

60" X 32" SHOWER BASE

- EverEdge™ Collection
- Right Drain or Left Drain Bathtub

STANDARD SPECIFICATIONS:

- Caulkless Installation
- Direct-to-stud installation
- Made with High-Gloss ProCrylic™ Material
- Textured Bottom
- Uses Standard Shower Stall Drain with 4 1/4" Strainer
- 10 Year Limited Residential Warranty
- 1 Year Limited Commercial Warranty

COLOR/FINISH

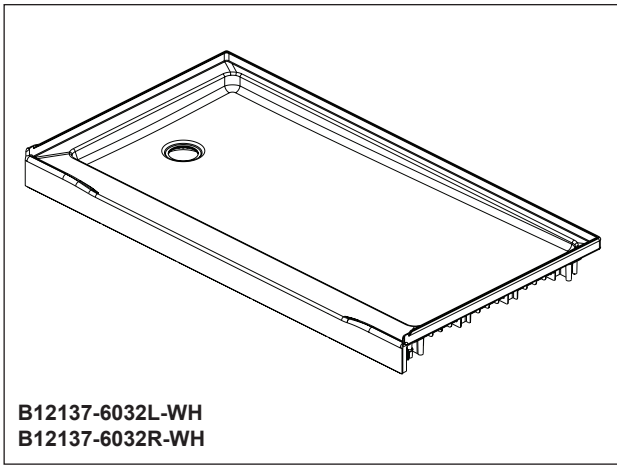
- White

WARRANTY:

- Delta® Tubs, Shower Bases, and Walls – 10 years from the date that the product is received by the original purchaser or their authorized representative (installation contractor, etc.); or for commercial purchasers, 1 year from the date that the product is received by the original purchaser or their authorized representative (installation contractor, etc.).
- Please go to www.deltafaucet.com for the complete details of our limited warranty.

COMPLIES WITH:

- CSA B45.5/IAPMO Z124



B12137-6032L-WH
B12137-6032R-WH

